

Operation Manual

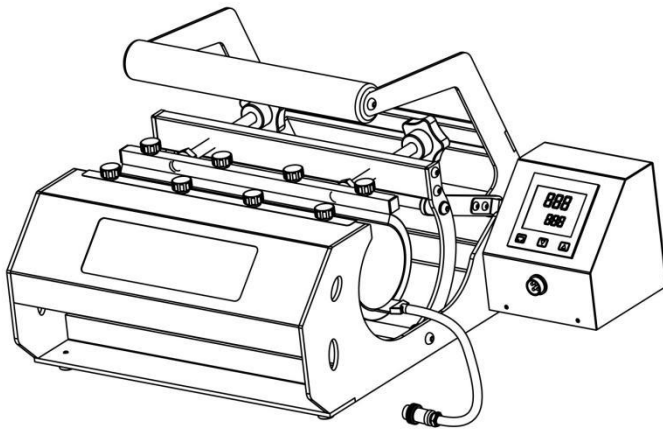
(GS-205B Plus)

Safety Instructions

**When using your heat press,
basic precautions should always be followed,
including the following:**

1. Read all instructions.
2. Use heat press only for its intended use.
3. To reduce the risk of electric shock, do not immerse the heat press in water or other liquids.
4. Never pull cord to disconnect from outlet, instead grasp plug and pull to disconnect.
5. Do not allow cord to touch hot surfaces, allow heat press to cool completely before storing.
6. Do not operate heat press with a damaged cord or if the equipment has been dropped or damaged. To reduce the risk of electric shock, do not disassemble or attempt to repair the heat press. Take it to a qualified service person for examination and repair. Incorrect assembly or repair could increase the risk of fire, electric shock, or injury to persons when the equipment is used.
7. This appliance is not intended for use by persons (including children) with reduced physical, sensory or mental capabilities, or lack of experience and knowledge, unless they have been given supervision or instruction concerning use of the appliance by a person responsible for their safety.
8. Close supervision is necessary for any heat press being used by or near children. Do not leave equipment unattended while connected.
9. Burns can occur when touching hot metal parts.
10. To reduce the likelihood of circuit overload, do not operate other high voltage equipment on the same circuit.
11. If an extension cord is necessary, then a 20 amperage rated cord should be used. Cords rated for less amperage may overheat. Care should be taken to arrange the cord so that it cannot be pulled or tripped over.

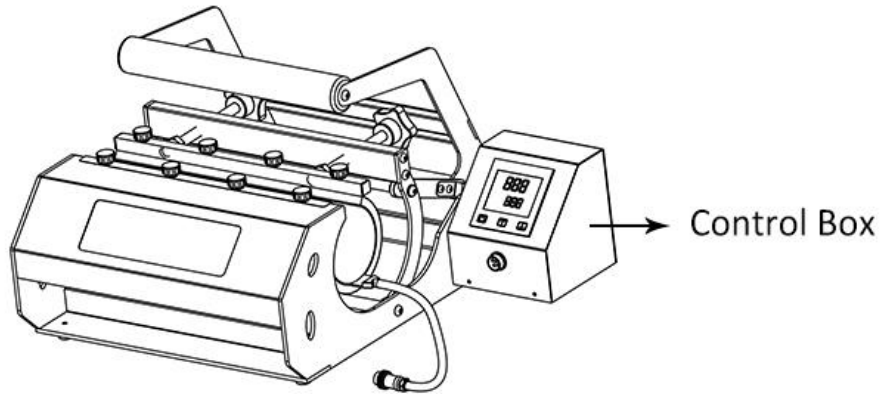
Technical Parameters



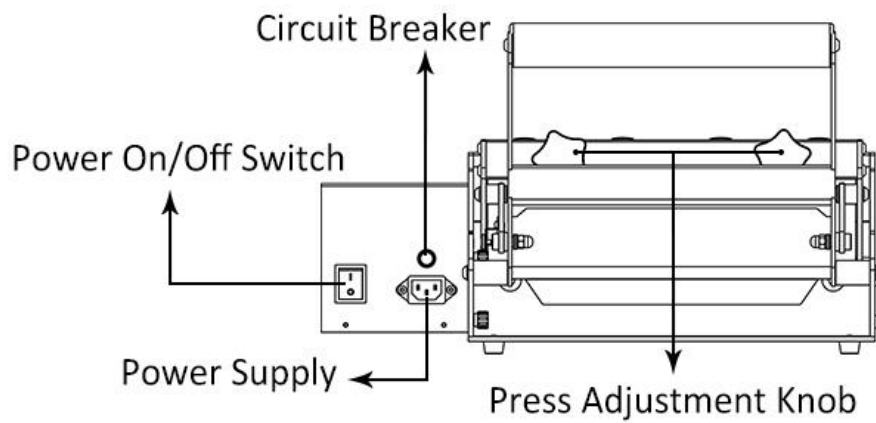
Model:	GS-205B Plus
Heater Size:	L300mm/ARC L:226mm
Power(120volt)	300W, 2.7A
Power(240volt)	300W, 1.4A
Temperature Range:	Max.200°C/392°F
Time Range:	0~999S
Machine Size:	39.8×45.5×26.4cm
Packing Size:	52.cm*47.5cm*32.5cm
Packing Weight:	12Kg
Net weight:	8.6Kg
Certificate:	CE,FCC
Warranty:	One year on whole machine except heaters

Machine View

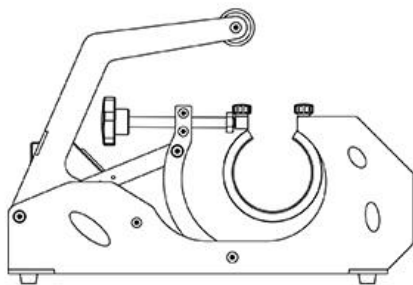
SIDE VIEW



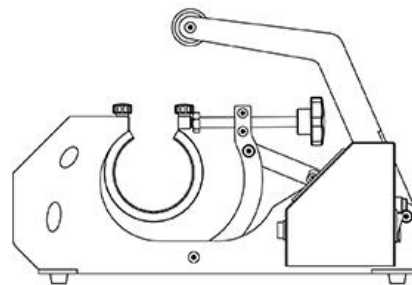
BACK VIEW



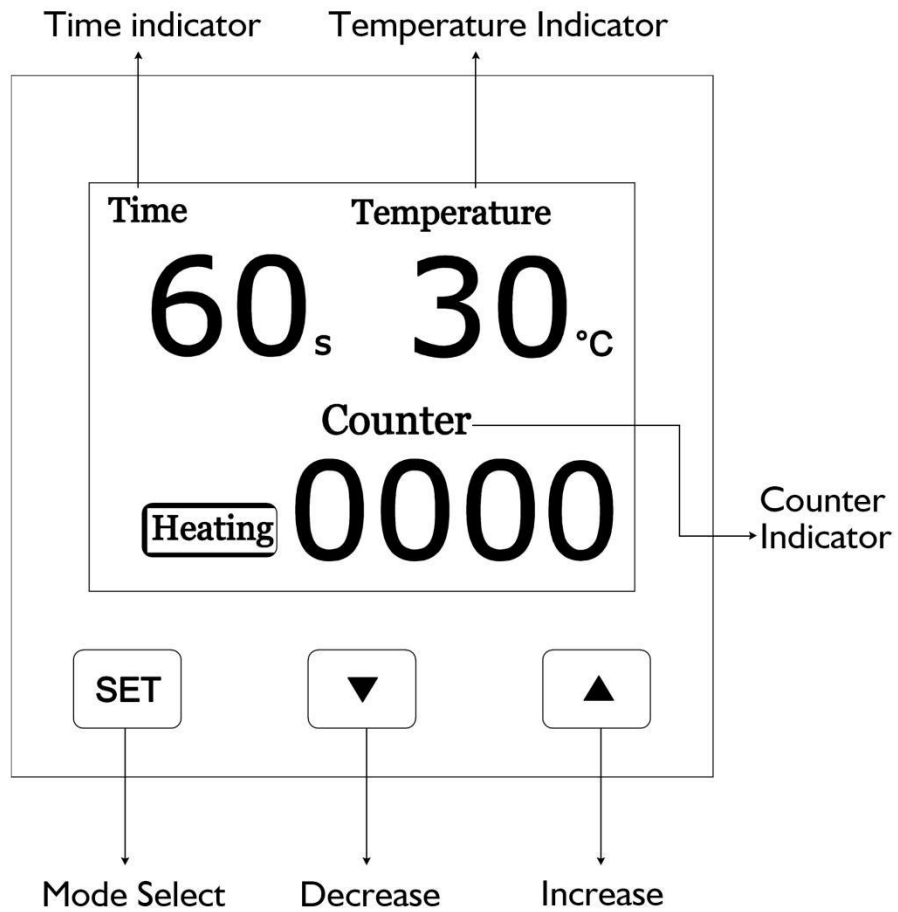
LEFT SIDE VIEW



RIGHT SIDE VIEW



Control Panel Guide



Operation Instructions

1. Connecting the System

1.1 Connect the power cord into a properly grounded electrical outlet with a sufficient amperage rating.

1.2 VOLTAGE

120 Volt – The GS-205B requires a full 10 amp grounded circuit for 120 volt operation.

240 Volt –The GS-205B requires a full 7 amp grounded circuit for 240 volt operation.

1.3 EXTENSION CORDS If used, should be as short as possible and not less than 12 gauge. Heavy duty cords are recommended.

1.4 CIRCUITS that have less than 10 amps or that have other high demand equipment or appliances(especially more than one heat seal machine) plugged in, should not be used.

NOTE: If the supply cord is damaged, it must be replaced by the manufacturer, its service agent or a similarly qualified person in order to avoid hazard.

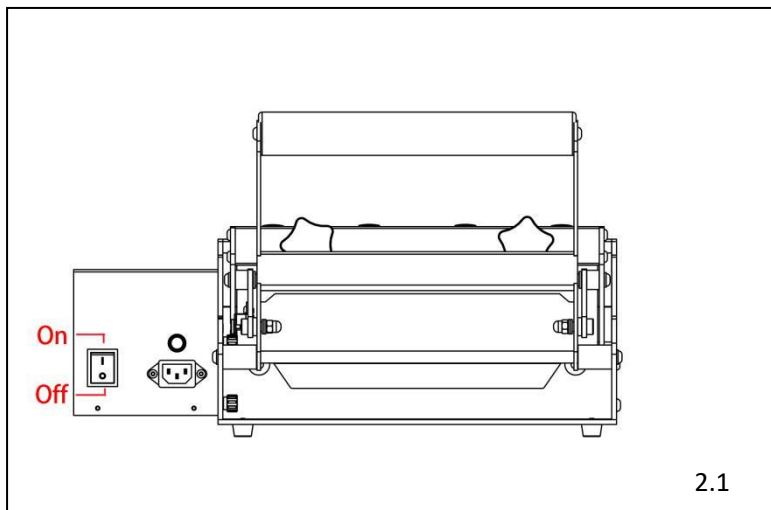
CAUTION :

Failure to follow these instructions will cause:

- 1) Erratic controller functions.
- 2) Inaccurate displays and slow heat-up.
- 3) The circuit breaker to disengage.

2. Turn On the System

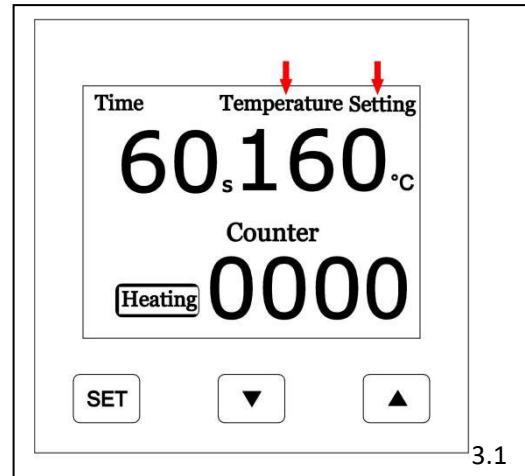
2.1 Switch The System On (figure 2.1)



3.Adjusting the Temperature

3.1 Press the “set” button once time.
“Temperature” lights will illuminate, press the “up” and “down” button to set target start temperature (see figure 3.1)

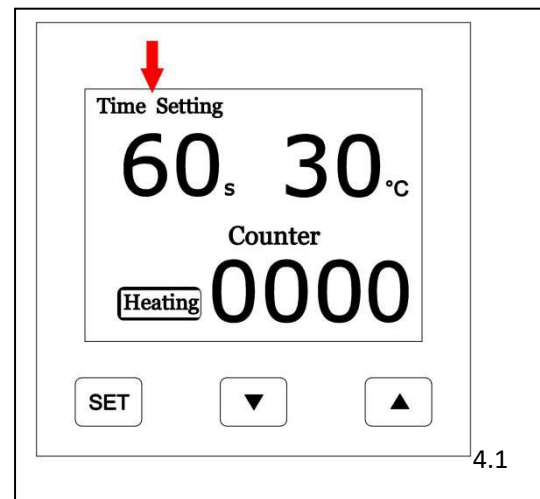
3.2 Press the “set” button second time.
“Setting” lights will illuminate, press the “up” and “down” button to set printing temperature (see figure 3.1)



4.Adjusting the Time

4.1 Once you have adjusted the temperature, press the “set” button again. “Time” lights located in the display will illuminate. (see figure 4.1)

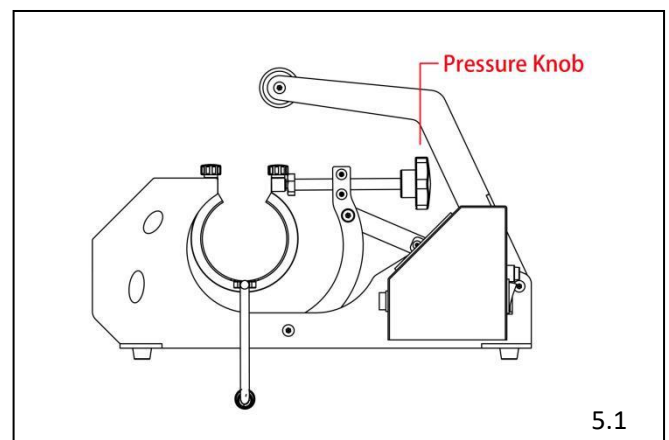
4.2 Next, press the “up” and “down” button to set target printing time. The time setting range can be set from 0~999.



5.Adjusting the Pressure

5.1 The Pressure Adjustment Knob is located as picture. (See figure 5.1)

5.2 Adjust the pressure by turning the knob clockwise to increase pressure and counter clockwise to decrease pressure.



REMEMBER: To allow for the thickness of your garment when adjusting the pressure.

6. Printing And Pressing

- Once your equipment has reached the designated start temperature:
- Position mug and application and proceed to press.
- This procedure will start the automatic timing process.
- Please note machine will heat up from start temperature to printing temperature then time starts to count down.
- The timer will automatically count down to zero then circuit board will alarm when the press cycle is complete.
- The timer will automatically re-set and you are ready to continue with the next application.

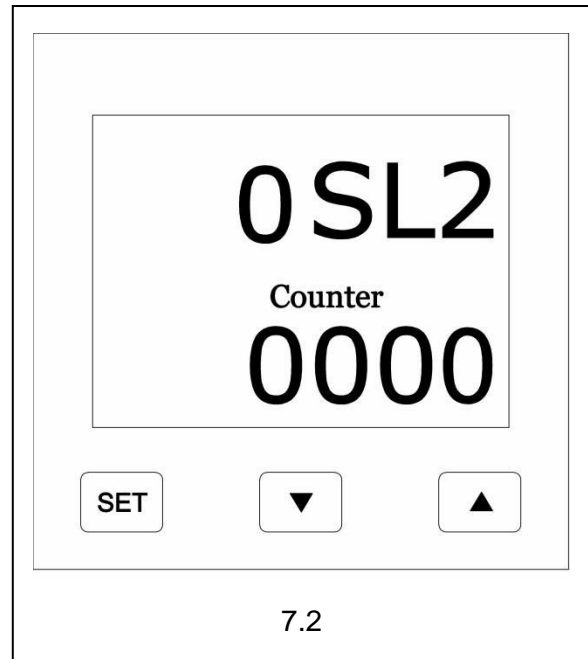
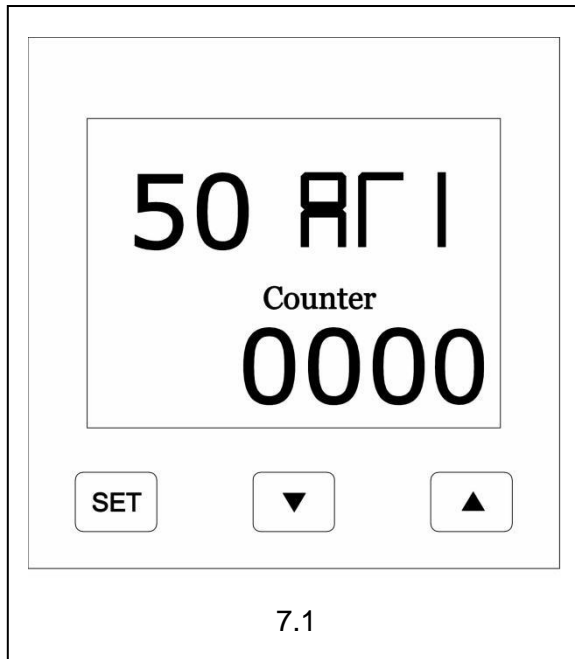
7. Switch Between F/C

7.1 Press “set” button for 4 seconds to enter into second level menu. Display as below. (see figure 7.1)

7.2 Press “set” button to select “SL2” mode (See figure 7.2)

7.3, press up and down button to set value at 0 or 1, 0 for celsius, 1 for Fahrenheit.

7.4 Press “set” button 4 seconds to quit.



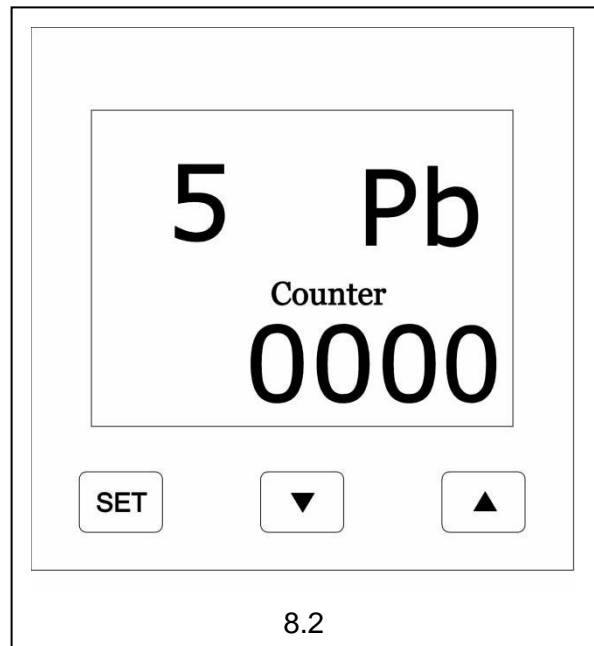
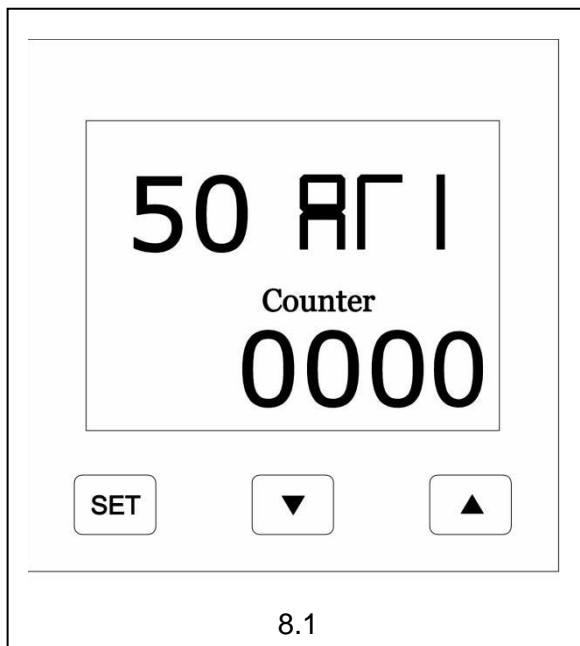
8. Temperature Calibration

8.1 Press “set” button for 4 seconds to enter into second level menu. Display as below. (see figure 8.1)

8.2 Press “set” button to select “Pb” mode (See figure 8.2)

8.3 press “up” and “down” button to make temperature calibration.

8.4 Press “set” button 4 seconds to quit.



if temperature on heater is higher than circuit board shows, pls raise the Pb value.

Example:

Heater temperature: 190C

Circuit board temperature: 185C

Pls set Pb Value at (+5)

If temperature on heater is lower than circuit board shows, pls reduce the Pb value.

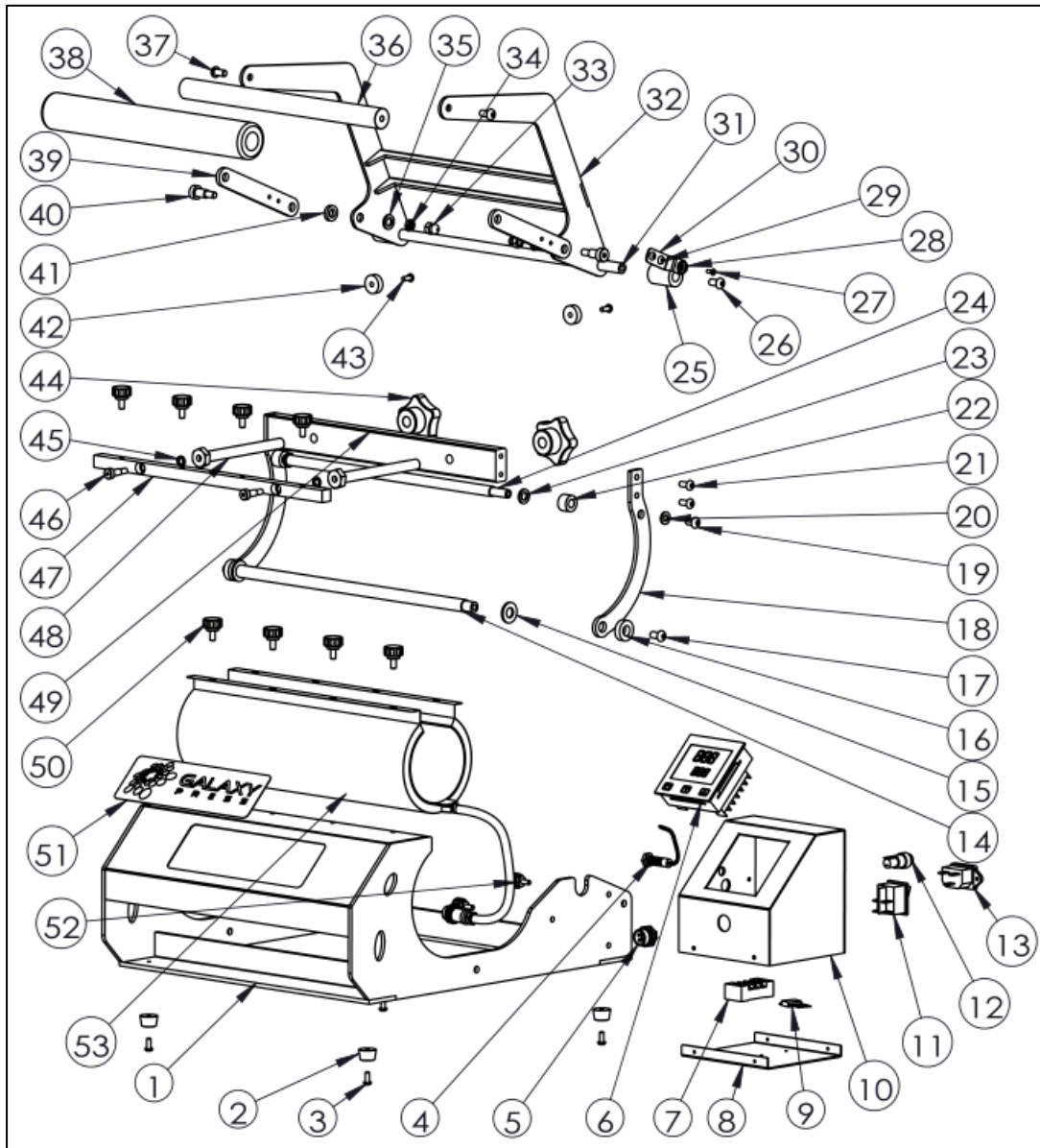
Example:

Heater temperature: 185C

Circuit board temperature: 190C

Pls set Pb Value at (-5)

Exploded Views And Parts List



No.	Material No.	Part Name(English)	Qty
1	J.03.05.0908	Machine base	1
2	J.03.03.0038	Rubber foot	4
3	J.03.06.0117	Ball headed bolt M4*10	4
4	J.03.04.0127	Magnet switch	1
5	J.02.04.0145	4phase avaiation plug(Female)	1
6	J.03.04.0148	Circuit board GSK-H08	1

7	J.03.04.0078	Terminal block	1
8	J.03.05.0609	Base board of control box	1
9	J.02.04.0131	Traic DX146-10	1
10	J.03.05.0610	Control box-205B	1
11	J.03.04.0079	On-off switch	1
12	J.02.04.0141	Fuse assembled	1
13	J.03.04.0077	Socket DB-14-1	1
14	J.03.05.0912	Holding shaft-205B plus	1
15	J.03.03.0057	Washer 20x10x1.8 black	2
16	J.03.03.0129	Washer 20x10x6 black	2
17	J.03.06.0139	Ball headed bolt M6-12	2
18	J.03.05.0915	Arm link-205B plus	1
19	J.03.06.0129	Ball headed bolt M6-8	2
20	J.03.06.0118	Flat washer 12-6-1.5	2
21	J.03.06.0165	Ball headed bolt M5-12	4
22	J.03.03.0129	Washer 16x8x10.5black	2
23	J.03.03.0097	Washer 14x8x1.8 black	2
24	J.03.05.0913	Armlink holding shaft 205B plus	1
25	J.03.03.0139	Washer 20x10x28 black	2
26	J.03.06.0139	Ball headed bolt M6-12	2
27	J.03.06.0077	Countersunk screw M3x8	1
28	J.03.06.0023	M3 magnet 12*3	1
29	J.03.06.0141	Ball headed bolt M4*6	2
30	J.03.05.0916	Magnet holding base	1
31	J.02.05.0071	Handle holding shaft	1
32	J.03.05.0914	Handle set	1
33	J.03.06.0159	Cap nut black M6	2
34	J.03.06.0126	Nut silver M6	2
35	J.03.03.0097	Washer 14x8x1.8 black	2
36	J.02.05.0070	Handle shaft 205B plus	1
37	J.03.06.0139	Ball headed bolt M6*12	2
38	J.03.03.0138	Rubber case 205B plus	1

39	J.03.05.0915	Short arm link 205B plus	2
40	J.03.06.0092	Shoulder screw M6-8-12	2
41	J.03.03.0122	Washer 15x8x3.5 black	2
42	J.03.03.0140	Block washer-black	2
43	J.03.06.0117	Ball headed bolt M4*10	2
44	J.03.06.0231	Pressure screw knob	2
45	J.03.06.0275	Flat washer 6-10-1	2
46	J.03.06.0142	Shoulder screw M5-6*12	2
47	J.03.05.0911	Heater holding shaft	1
48	J.02.05.0072	Pressure screw M10*110	2
49	J.03.05.0910	Pressure screw holder	1
50	J.03.06.0032	Handle screw M5-18-10	8
51	J.03.01.0024	Logo sheet	1
52	J.03.06.0014	Handle screw M4-15-10	3
53	J.02.06.0047	30oz tumbler heater 220V	As need
	J.02.06.0048	30oz tumbler heater 110V	

