

Operation Manual

(GS-207M)

Safety Instructions

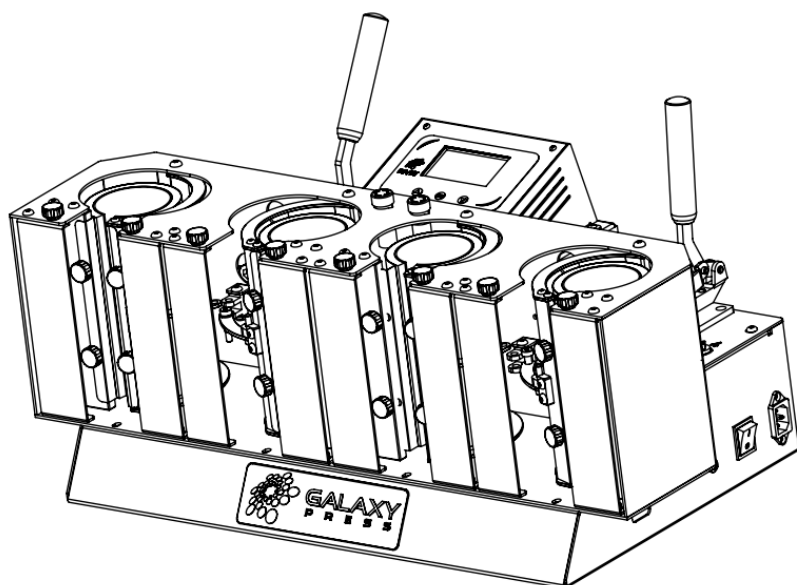
**When using your heat press,
basic precautions should always be followed,
including the following:**

1. Read all instructions.
2. Use heat press only for its intended use.
3. To reduce the risk of electric shock, do not immerse the heat press in water or other liquids.
4. Never pull cord to disconnect from outlet, instead grasp plug and pull to disconnect.
5. Do not allow cord to touch hot surfaces, allow heat press to cool completely before storing.
6. Do not operate heat press with a damaged cord or if the equipment has been dropped or damaged. To reduce the risk of electric shock, do not disassemble or attempt to repair the heat press. Take it to a qualified service person for examination and repair. Incorrect assembly or repair could increase the risk of fire, electric shock, or injury to persons when the equipment is used.
7. This appliance is not intended for use by persons (including children) with reduced physical, sensory or mental capabilities, or lack of experience and knowledge, unless they have been given supervision or instruction concerning use of the appliance by a person responsible for their safety.
8. Close supervision is necessary for any heat press being used by or near children. Do not leave equipment unattended while connected.
9. Burns can occur when touching hot metal parts.
10. To reduce the likelihood of circuit overload, do not operate other high voltage equipment on the same circuit.
11. If an extension cord is necessary, then a 20 amperage rated cord should be used. Cords rated for less amperage may overheat. Care should be taken to arrange the cord so that it cannot be pulled or tripped over.

Table Of Contents

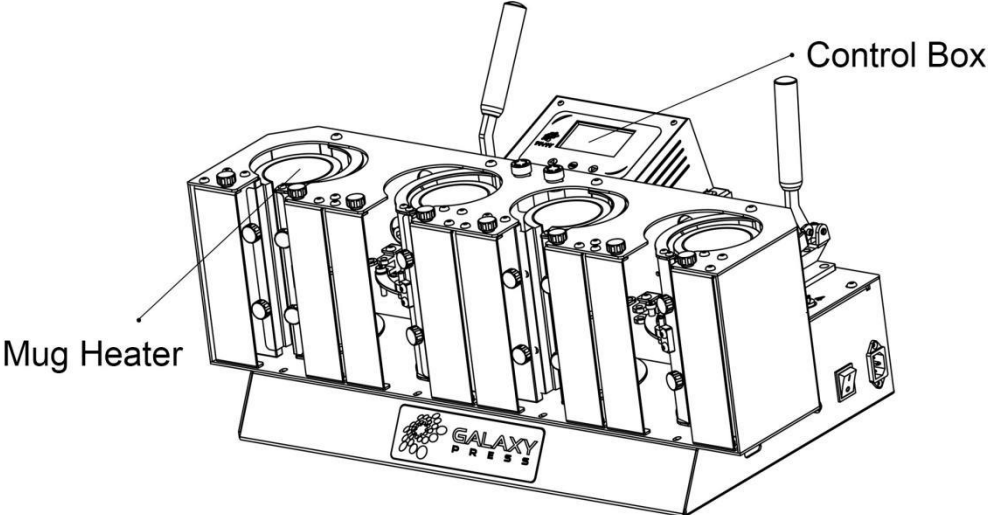
Safety Instructions.....	1
Technical Parameters.....	3
Machine View.....	4
Control Panel Guide.....	5
Operating Instructions.....	5-11
● Connecting the System.....	5
● Turning the System On.....	6
● Adjusting the Temperature.....	6-7
● Adjusting the Time.....	7
● Printing and Pressing.....	8-9
● How to Change Heater.....	9
● Sub Menu Setting.....	10-11
Exploded Views And Parts List.....	12-10
Electrical Schematic.....	20

Technical Parameters

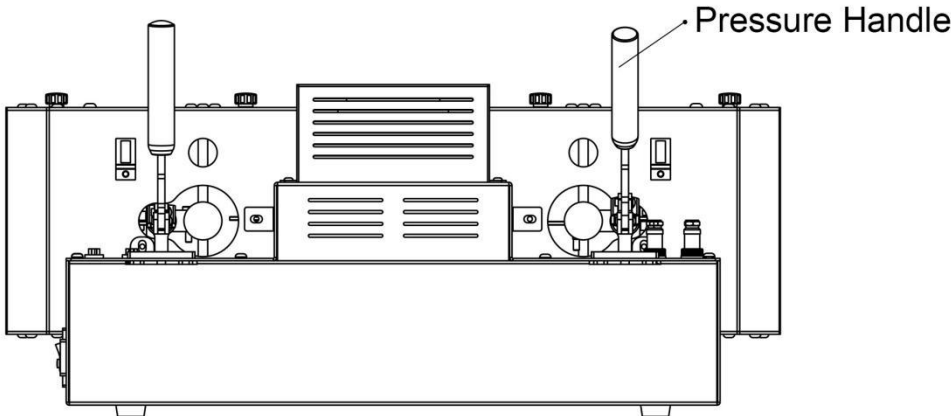


Model:	GS-207M
Heater Size:	W195mm*H170mm for 400ml/500ml/600ml aluminum sports water bottle.
Power(120volt)	4*300W/4*120W 16.1 Amps(max)
Power(240volt)	4*300W/4*120W 8.1Amps(max)
Temperature Range:	Max.220°C/430°F
Time Range:	0~999S
Machine Size:	65.2×33.9×28.5cm
Packing Size:	73×43×40cm
Packing Weight:	24kg
Maximum Paper Printing Size:	400ml sports bottle: 175*99mm(L*W) 500ml sports bottle: 175*114mm(L*W) 600ml sports bottle: 175*134mm(L*W)
Suggest Temp&Time Setting:	150C/190C 40-50secs 302F/374F 40-50secs
Certificate:	CE,FCC
Warranty:	One year for whole machine except heaters

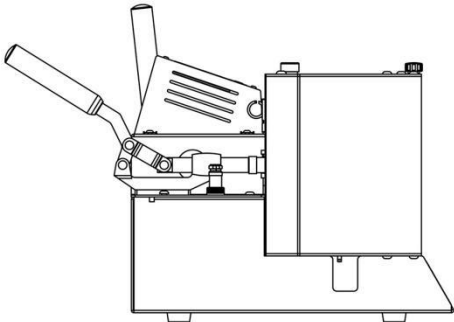
Side View



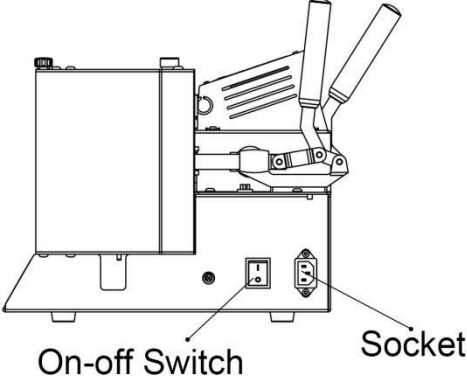
Back View



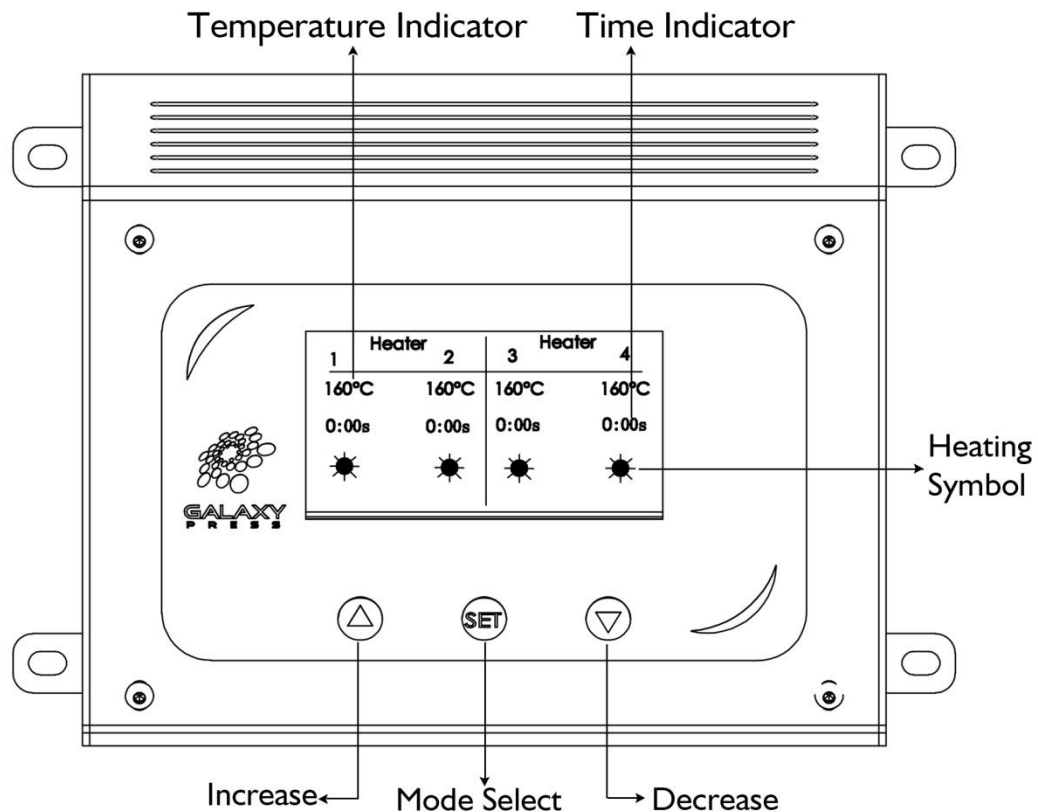
Left View



Right View



Control Panel Guide



Operation Instructions

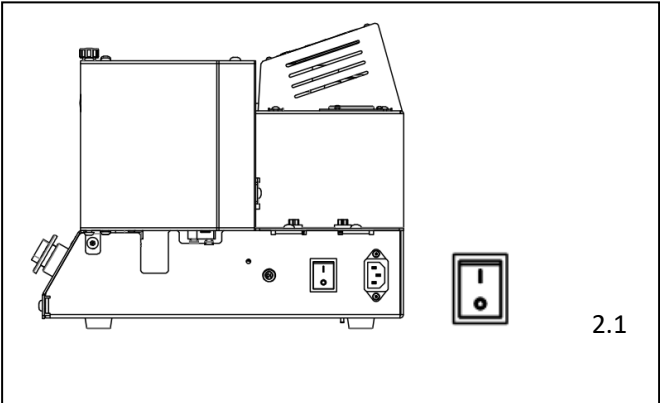
1. Connecting the System

- **CONNECT THE POWER CORD**
Connect the power cord into a properly grounded electrical outlet with a sufficient amperage rating.
- **VOLTAGE**
120 Volt – GS-207M requires a full 20 amp grounded circuit for 120 volt operation.
240 Volt – GS-207M requires a full 10 amp grounded circuit for 240 volt operation.
- **EXTENSION CORDS** If used, should be as short as possible and not less than 12 gauge. Heavy duty cords are recommended.
- **CIRCUITS** that have less than 15 amps or that have other high demand equipment or appliances (especially more than one heat seal machine) plugged in, should not be used.

NOTE: If the supply cord is damaged, it must be replaced by the manufacturer, its service agent or a similarly qualified person in order to avoid hazard.

2. Turn On the System

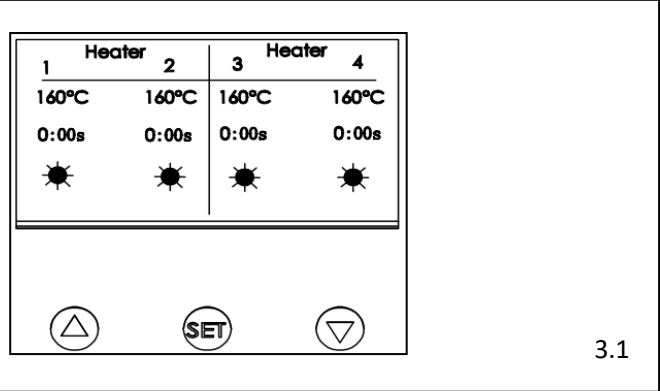
- Switch on the system. (fig.2.1)



2.1

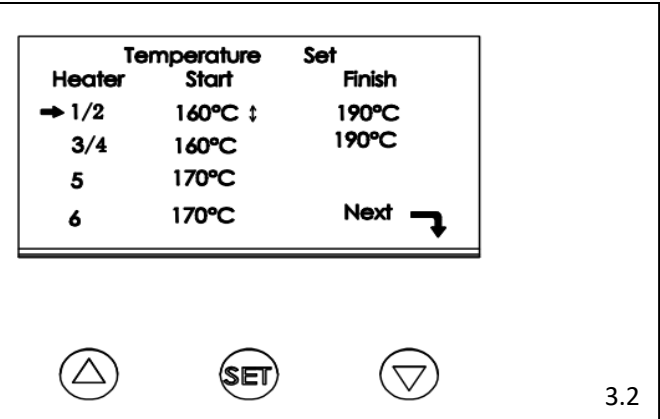
3. Adjusting the Temperature

- 3.1 Press the Mode Select button located in the center of the Control Panel (fig.3.1). Press (+) and (-) button to select different heater. (fig.3.2).



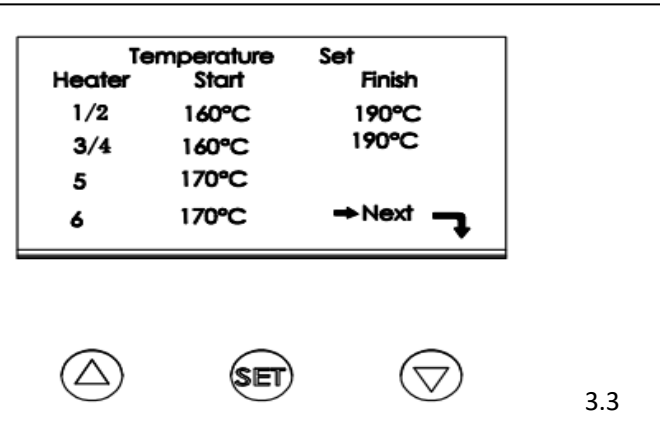
3.1

- 3.2 For heater 1/2 and 3/4, press “set” button to choose “start temp” or “finish temp”, press (+) and (-) button to set temperature. For heater 5 and 6, press “set” button to choose “start temp”, press (+) and (-) button to set temperature. The temperature can be set from 0° C (0° F) to 220° C (428° F). (fig.3.2)



3.2

- 3.3 press set button again to finish setting, move the cursor to “next”, ready to enter time setting page. (fig.3.3)



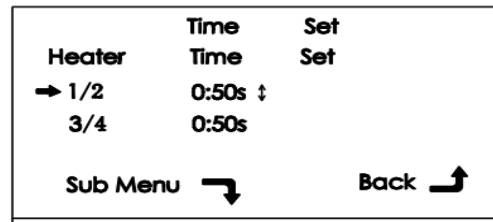
3.3

Remark:

1. heater 1/2 represent no.1 and no.2 heater, can only be set temperature at once time together, because left air cylinder close the heater 1/2 together. Heater 1/2 can set “start temp” and “finish temp”.
2. heater 3/4 represent no.3 and no.4 heater, can only be set temperature at once time together, because right air cylinder close the heater 3/4 together. Heater 3/4 can set “start temp” and “finish temp”.
3. Heater 5 does not work for GS-207M.
4. Heater 6 does not work for GS-207M

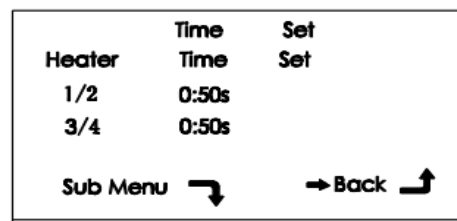
4.Adjusting Time

4.1 In the time setting page, Press (+) and (-) button to select different heater..(fig.4.1)



4.1

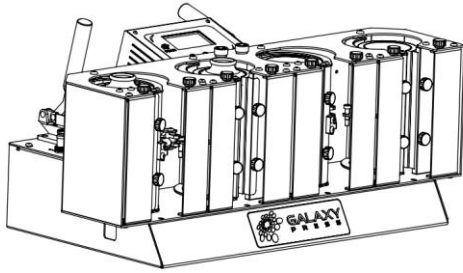
4.2 Press “set” button to activate time value setting. Press (-) button to lower the value ,or press the (+) button to raise the time value .The time setting range can be set from 0~999. Move the cursor to “back”,press “set’ button to get back to the main interface. (fig.4.2)



4.2

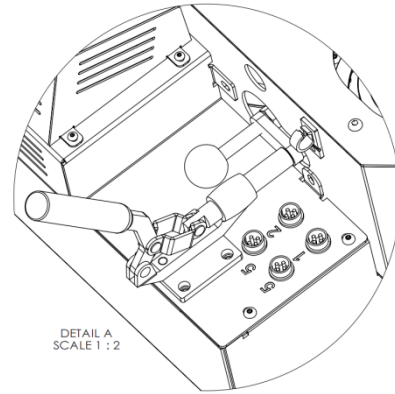
5. Printing And Pressing

5.1 Once heater reaches start temperature, put bottles inside of mug heater



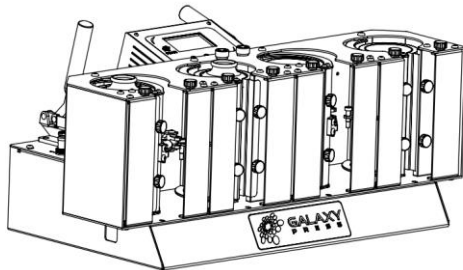
5.1

5.2 Adjust suitable pressure by turning pressure knob.



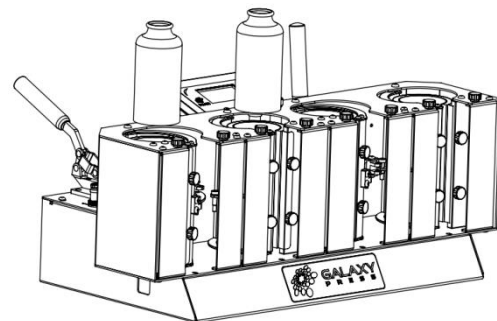
5.2

5.3 Then close handle to start transfer printing process.



5.3

5.3 Once printing process is over, buzzer will alarm and open the handle then take out bottles out of machine.



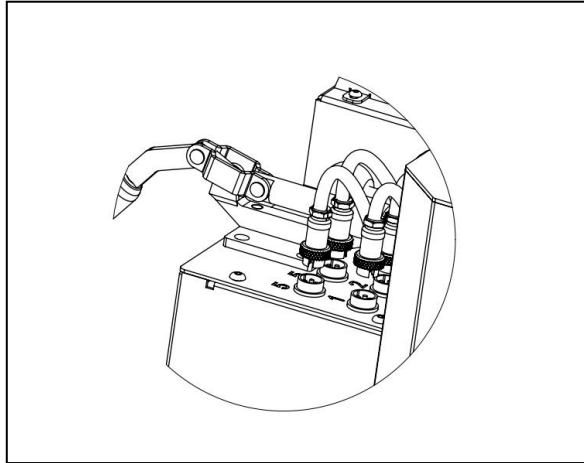
5.4

Remark:

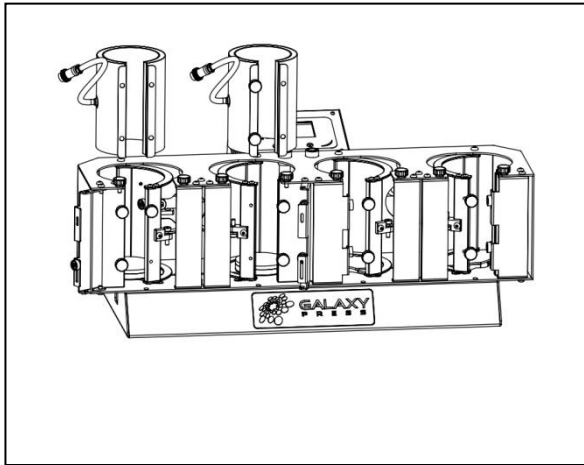
1. Station 1/2 must work with two mugs inside together, working only with 1 mug inside will damage the machine.
2. Station 3/4 must work with two mugs inside together, working only with 1 mug inside will damage the machine.
3. Each heater's temperature is separately controlled by different triac, can be calibrated separately. But we do not suggest customer make calibration unless there is a need.

6.How to Change Heater

Plug off the 4 phase plug



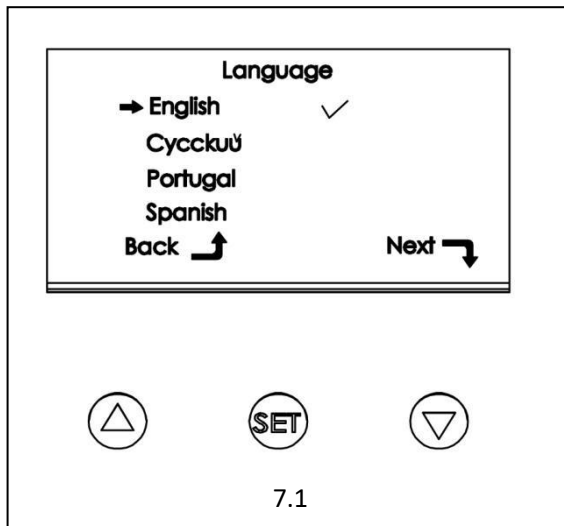
Take off the heater. Then do the opposite operation can change a new heater onto the machine



7.Sub Menu Introduction

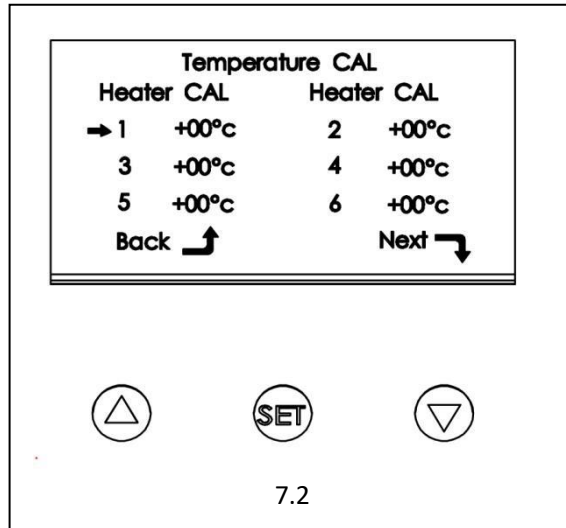
In the time setting page, there is sub menu button, move the cursor to the button, press "set" button to enter into sub menu

7.1 Language setting.we offer 4 language for customer needs. English/Spanish/Russia/Portuguese. (fig.7.1). Once finish setting,go to next page.



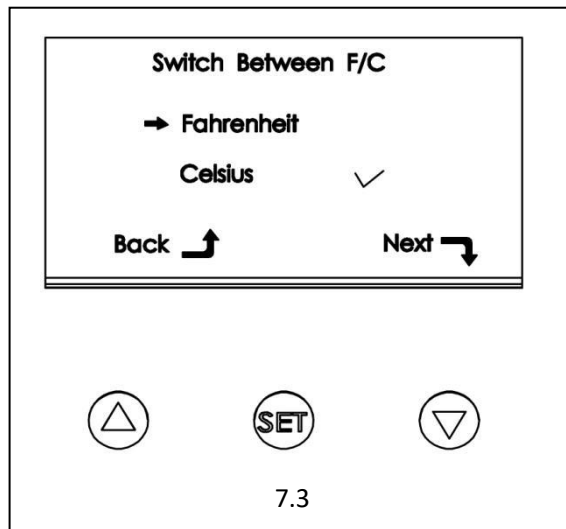
7.2 Temperature calibration setting.

Customer can make calibration on each heater once the heater's temperature is not correct.(fig.7.2).Once finish setting,go to next page.



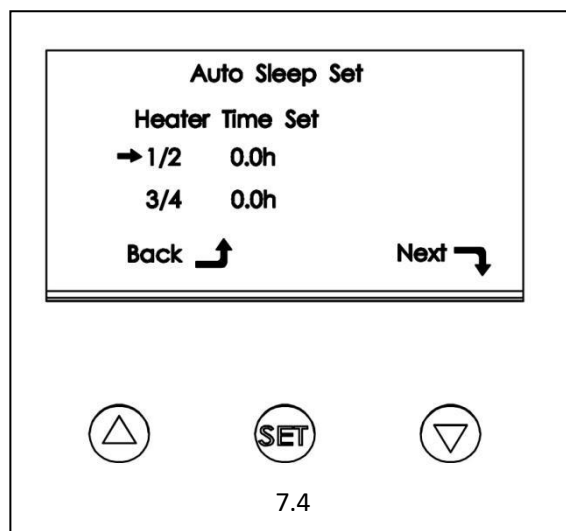
7.3 Fahrenheit and Celsius setting.

(fig.7.3).Once finish setting,go to next page.

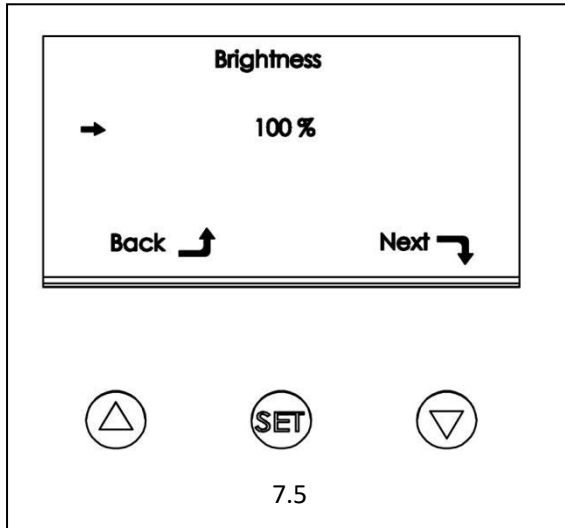


7.4 Auto-sleep setting.

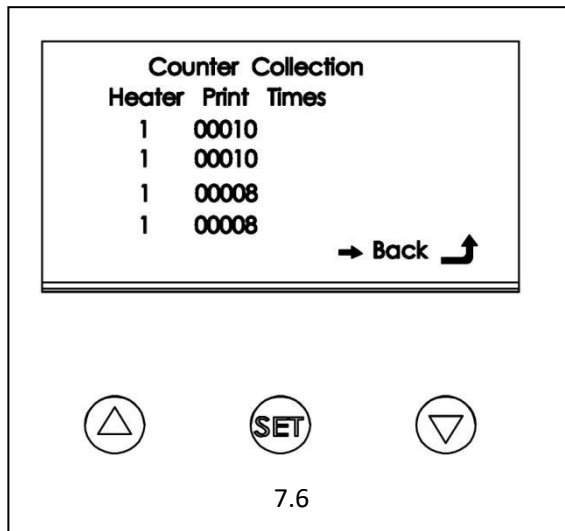
Customer can set auto-sleep time. Once time is reached,machine will auto close without any operation (fig.7.4).Once finish setting,go to next page.



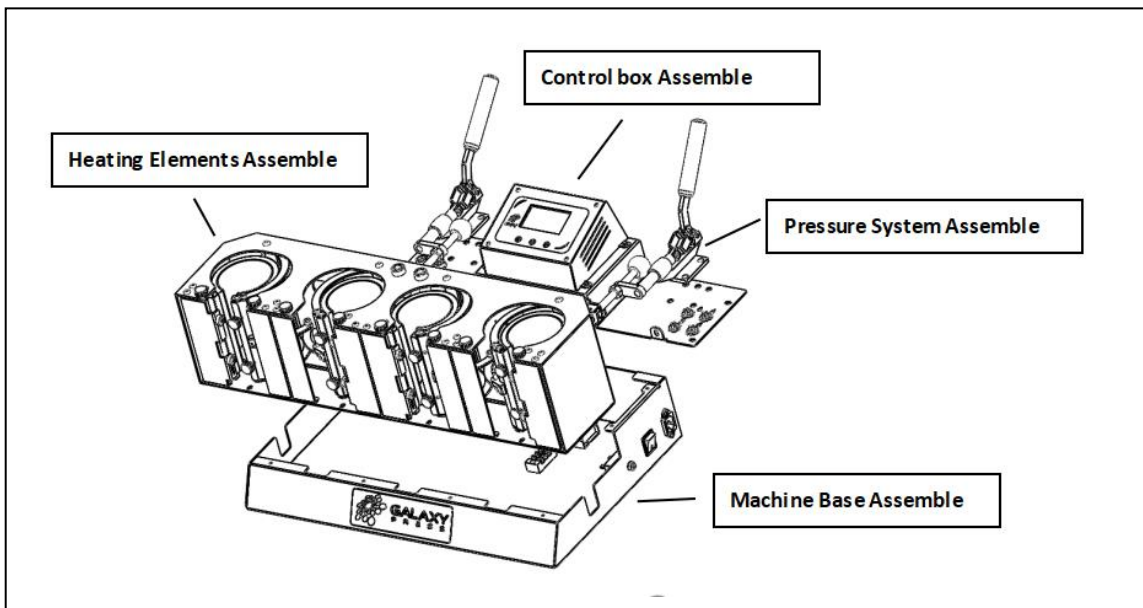
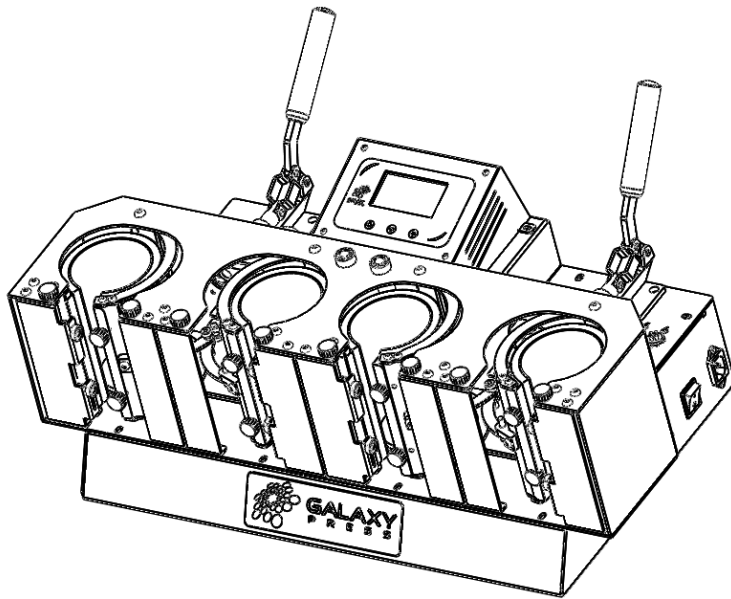
7.5 Brightness setting. Customer can reduce or increase brightness of the screen. (fig.7.5). Once finish setting, go to next page.



7.6 Counter Collection. Here customer can see how many mugs have been printed by each heater. This setting can not be changed.. (fig.7.6). Once finish setting, go back to the main interface.



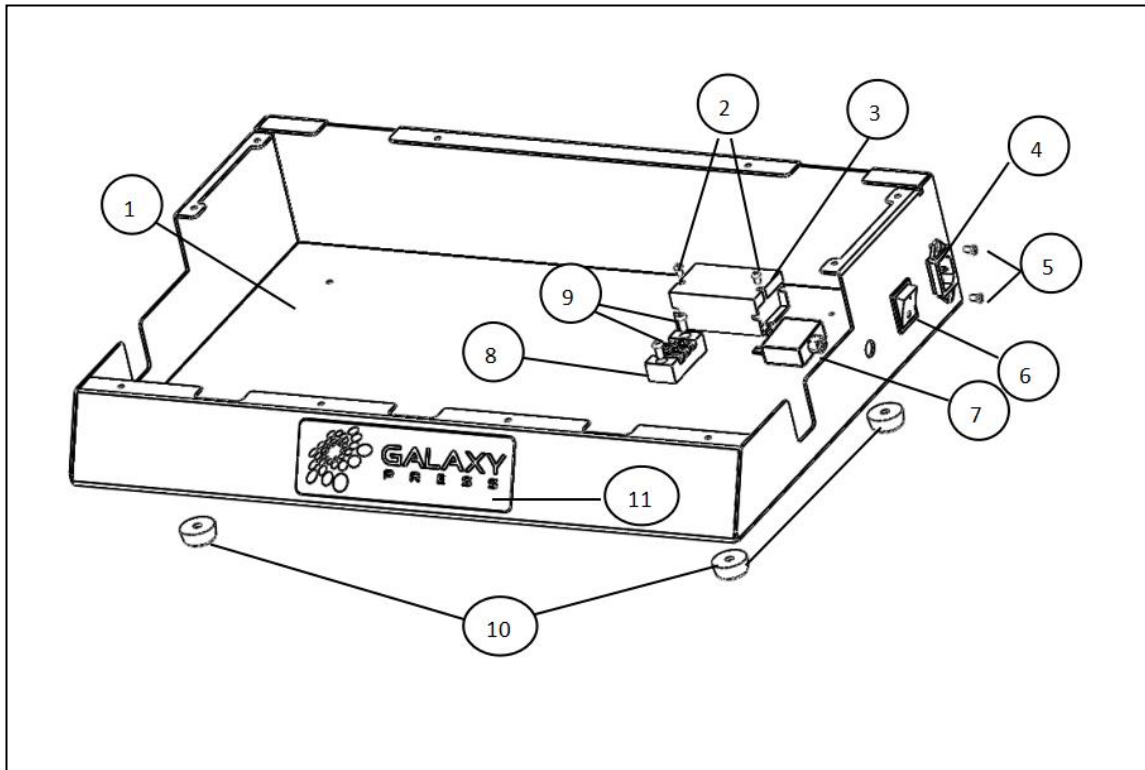
Exploded Views



GS-207M contains 4 main parts:

- 1. Machine base assemble**
- 2. Control box assemble**
- 3. Heating elements assemble**
- 4. Pressure system assemble**

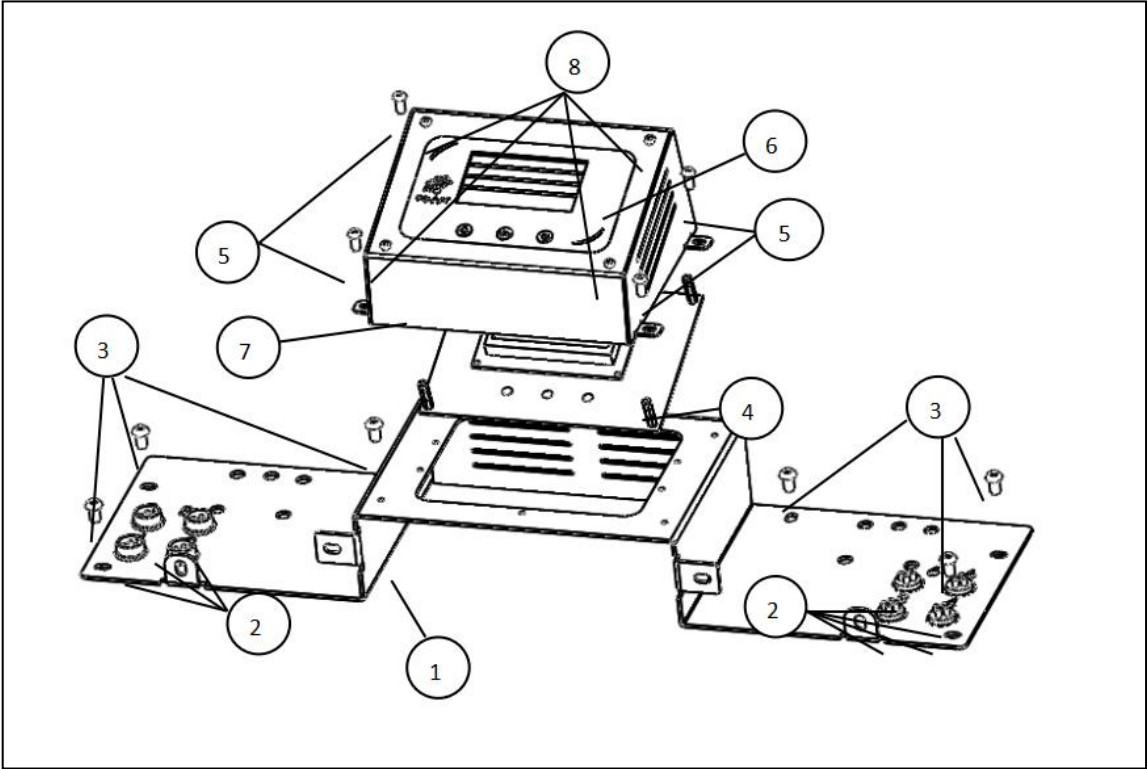
1. Machine Base Assemble:



Parts list:

No.	P/N	Name	Qty
1	J. 03. 05. 0600	Machine Base	1
2	J. 03. 06. 0104	Round head bolt M3x6	2
3	J. 03. 04. 0011	Switch Power Supply DC12V	1
4	J. 03. 04. 0077	socket	1
5	J. 03. 06. 0077	Countersunk screw M3x8	2
6	J. 03. 04. 0079	On/off switch	1
7	J. 02. 04. 0138	Circuit breaker 18A	1
	J. 02. 04. 0139	Circuit breaker 10A	1
8	J. 03. 04. 0078	Terminal Block	1
9	J. 03. 06. 0117	Ball headed bolt M4*10	2
10	J. 03. 03. 0037	Rubber foot	4

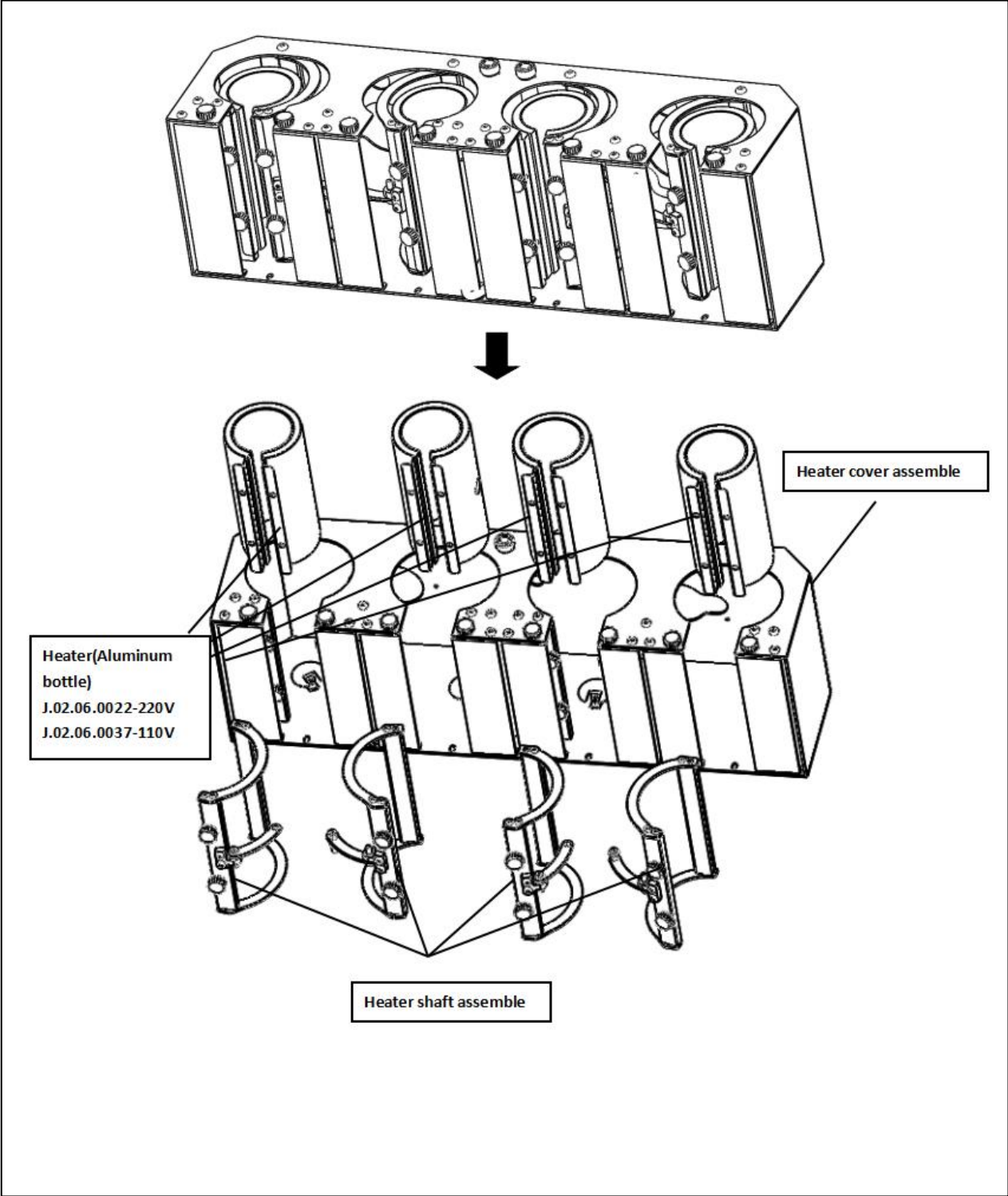
2. Control Box Assemble



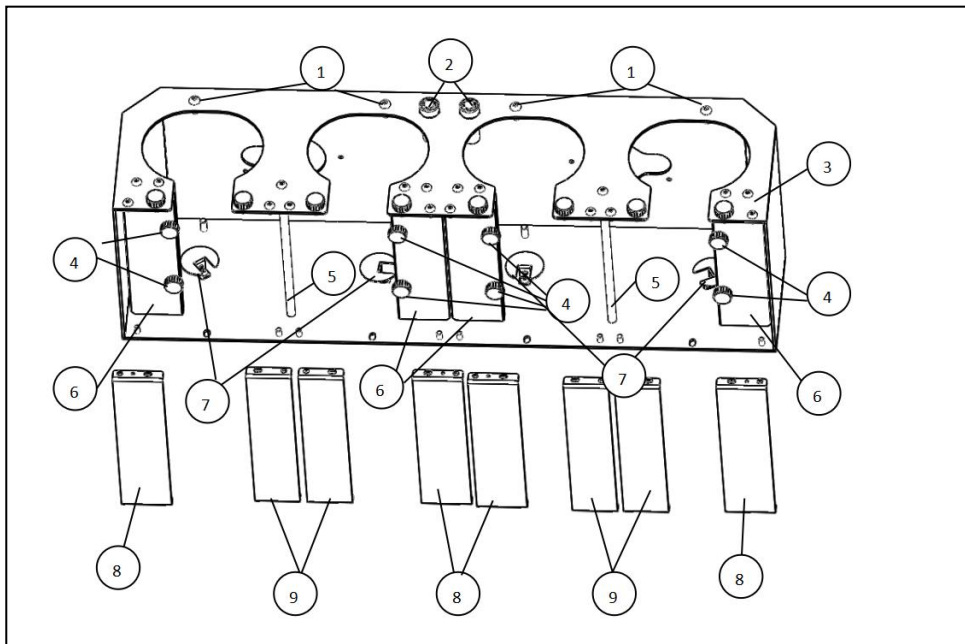
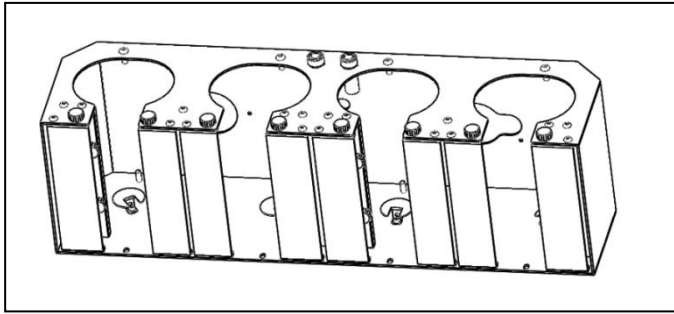
Parts List:

No.	P/N	Name	Qty
1	J. 03. 05. 0602	Top Cover	1
2	J. 02. 04. 0164	4 phase aviation plug (Male) with wires welded	4
3	J. 03. 06. 0165	Ball headed bolt M5-12	6
4	J. 03. 04. 0166	Circuit board GSK-07	1
5	J. 03. 06. 0117	Ball headed bolt M4*10	4
6	J. 03. 01. 0025	Sticker	1
7	J. 03. 05. 0403	Circuit board cover	1
8	J. 03. 06. 0104	Round head bolt M3x6	4

3.Heating Element Assemble:



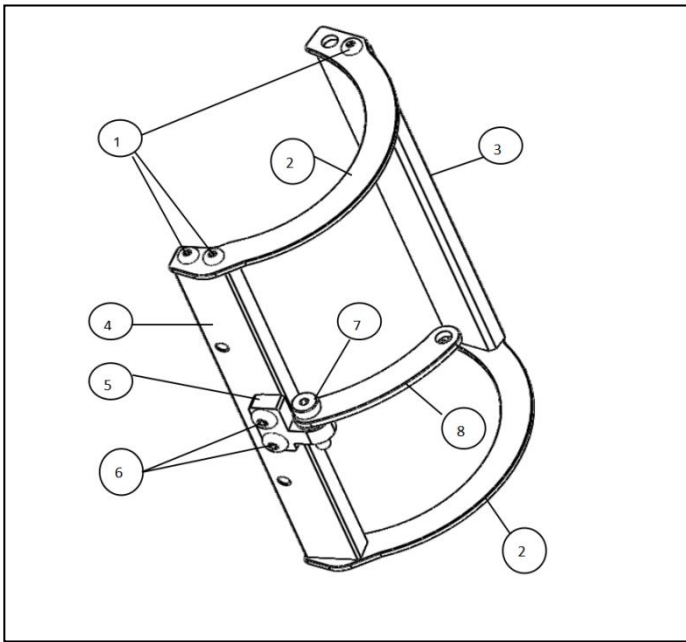
3.1.Heater Cover Assemble :



Parts List:

No.	P/N	Name	Qty
1	J. 03. 06. 0102	Round head bolt M6x16	4
2	J. 03. 04. 0184	Buzzer	4
3	J. 03. 05. 0601	Heater cover	1
4	J. 03. 06. 0032	Handle Screw	8
5	J. 03. 05. 0456	Supporting pillar	2
6	J. 03. 05. 0417	Heater fix board	4
7	J. 03. 05. 0421	Bottom base	4
8	J. 03. 05. 0414	Door type cover-1	4
9	J. 03. 05. 0415	Door type cofer-2	4

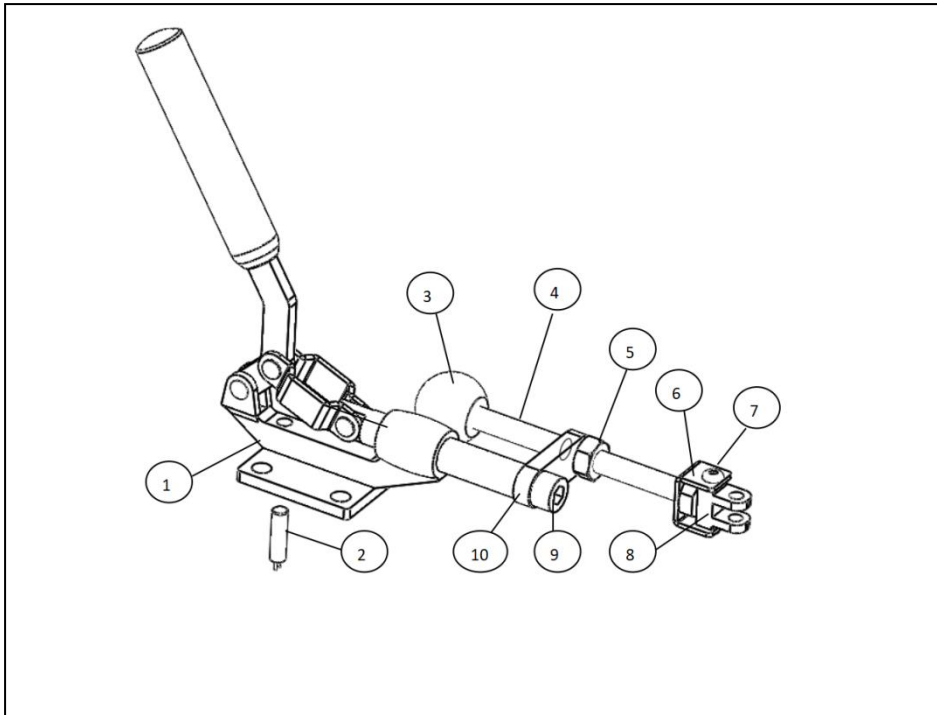
3.2. Heater Shaft Assemble:



Parts List:

No.	P/N	Name	Qty
1	J. 03. 06. 0117	Ball headed bolt M4*10	6
2	J. 03. 05. 0426	Arc supporting plate	2
3	J. 03. 05. 0419	Supporting board-1	1
4	J. 03. 05. 0420	Supporting board-2	1
5	J. 03. 05. 0418	connector-2	1
6	J. 03. 06. 0103	Ball headed bolt M5*10	2
7	J. 03. 06. 0142	Shoulder screw M5-6*12	1
8	J. 03. 05. 0455	Connecting sheet	1

4. Pressure System Assemble:



Parts List

No.	P/N	Name	Qty
1	J.03.06.0005	Clamp	1
2	J.02.04.0148	Magnet switch	1
3	J.03.03.0003	Ball Shape Handle	1
4	J.03.06.0212	Screw M10-70	1
5	J.03.06.0127	Nut M10	1
6	J.03.05.0595	Connecting sheet	1
7	J.03.06.0140	Ball headed bolt M5*8	1
8	J.03.05.0596	Connecting set	1
9	J.03.06.0144	Cup head screw M10-20	1
10	J.03.05.0615	Connecting sheet	1

Electrical Schematic

